

## AVAILABLE OPTIONS

### STROKE REGULATOR

#### TECHNICAL SPECIFICATIONS

The stroke regulator allows the flow to be adjusted from 0% to 100%.

Beneficial integration of position indicator.

On normally open valve it serves as manual override.

● This option must be expressly required upon order. \*

Example: code CN205STWR0

\* It is available for valves with  $\varnothing$  63 –  $\varnothing$  90 mm actuator only.



### TRAVEL SWITCH

#### TECHNICAL SPECIFICATIONS

The travel switch detects the position of the valve (open or closed) relaying back an electrical signal.

The signal is provided by a magnetic sensor with a non-contact switch.

*Max switching voltage: 500 V;*

*Max switching current: 0.5 A;*

*Max switching power: 30 W/VA;*

*Max switching frequency: 150 Hz;*

*Contact actuation time: 4.5 ms;*

*Repeatability:  $\pm$  0.0118 inch;*

*Temperature limits: 13° F + 212° F;*

*Protection class: NEMA 6;*

*Housing material: brass with chemical nickel treatment;*

*Plug for cable: 0,118X0,019 inch<sup>2</sup>; from 0,157 to 0,236 inch diameter of cable*

● This option must be expressly required upon order. \*

Example: code RCN205STWI0

\* It is available for valves with  $\varnothing$  63 –  $\varnothing$  90 mm actuator only.



### MANUAL OVERRIDE

#### TECHNICAL SPECIFICATIONS

The manual override allows to open or close the valve in emergency cases (lack of air pressure, electrical failure, pilot valve damaged).

For the normally open version this function is performed by the “stroke regulator”.

● This option must be expressly required upon order. \*

Example: code CN208STZM0

\* It is available for valves with  $\varnothing$  63 –  $\varnothing$  90 mm actuator only.



## AVAILABLE OPTIONS

### TRAVEL SWITCH CONVERSION KIT

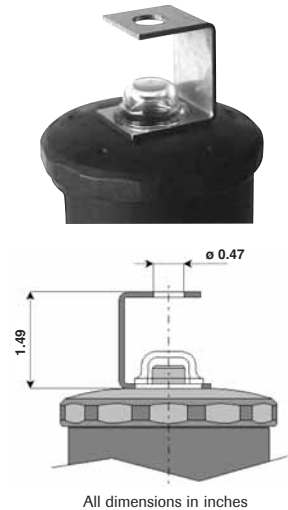
#### FEATURES AND BENEFITS

This kit allows the installation of a position switch to detect the position of the valve by means of an electrical signal.

- Suitable for all valves
- Easy installation at user's care, even on site
- Keeps the optical view of the valve position through the upper sight dome
- Suitable for magnetic or inductive commercial switches with M12 or M8 thread upon customer's choice

How to order:

- part number 857 018 000
- switch and plug not included (see below)



All dimensions in inches

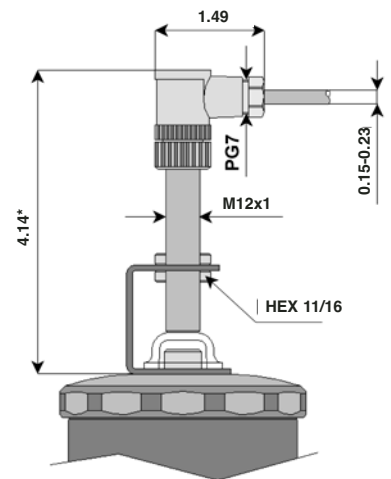
### MAGNETIC SWITCH FOR CONVERSION KIT

#### TECHNICAL SPECIFICATIONS

offers 2 types of standard magnetic switch to be purchased in addition to the conversion kit.

Other types of switches can be outsourced directly by the customer, provided that they comply with kit mounting specifications.

technical specifications	MAGNETIC SWITCHES	
	TYPE A - code 680 001 000	TYPE B - code 680 002 000
Contact:	free NC, NO switch	free NC, NO switch
Ripeatability:	+/- 0,01 inch	+/- 0,01 inch
Temperature limits:	-13°F ÷ 212°F	-13°F ÷ 212°F
Protection class:	NEMA 6	NEMA 6
Max switching voltage:	500V	150V
Max switching current:	0,5A	1A
Max switching power:	30W / VA	20W / VA
Contact actuation time:	14.8 foot/second	6.6 foot/second
Connection:	plug to screw clamp connection DIN IEC 60947/5/2	whit cable (16,4 ft)
Cable:	3 x 0,25 mm <sup>2</sup>	3 x 0,25 mm <sup>2</sup>



\* Type code 680 002 000 = 2.56 inch high

All dimensions in inches

#### TYPE A: SWITCH + CONNECTOR



680 001 000

600 012 000

#### TYPE B: SWITCH + 16,4 foot CABLE



680 002 000