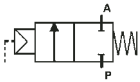


2 WAY PISTON VALVE 1/2 ÷ 2; STAINLESS STEEL



**normally closed
flow over seat**

TYPE: REGULAR NC

TECHNICAL SPECIFICATIONS

Media: water, oil, air, aggressive media and steam ⁽¹⁾
Media temperature: 14°F ÷ 356°F
Ambient temperature: 14°F ÷ 140°F
Pilot media: air, inert gases, water
Body material: cast AISI 316L (ASME SA351/351M GRADE CF3M)
Bonnet material: cast AISI 316L (ASME SA351/351M GRADE CF3M)
Actuator body material: Polyamide PA6 (reinforced fiberglass 30%)
Seal material: PTFE
Position indicator as standard



OPTIONS

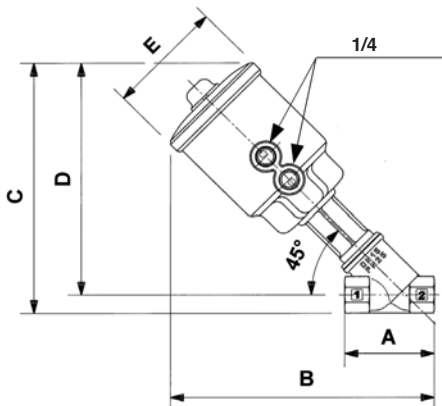
Manual override (ex. code PN205STWM0)
Stroke regulator (ex. code PN210STJR0)
Travel switch (ex. code PN208LTZ[0])
GAS connection (ex. code PG205STW00)
Weld ends

BENEFITS

Actuator housing rotation 360°
Design suitable for vacuum applications up to 8 mTorr

SELECTION TABLE	VALVES	pipe size	orifice	flow rate	OPD working pressure ⁽¹⁾		flow direction	OPD pilot pressure ⁽²⁾		actuator ø
	Code	(NPT)	(inch)	(gpm)	min (psi)	max (psi)	(2 → 1)	min (psi)	max (psi)	(mm)
	PN205STW00	1/2	5/8	6.8	0	290	over seat	53	145	63
PN206STX00	3/4	3/4	11	0	290	over seat	63	145		
PN207STY00	1	1	18	0	290	over seat	72	145		
PN208STZ00	1 1/4	1 1/4	28	0	232	over seat	85	145		
PN209STK00	1 1/2	1 1/2	49	0	232	over seat	130	145		
PN210STJ00	2	2	66	0	160	over seat	116	145		
PN207LTY00	1	1	18	0	290	over seat	29	116	90	
PN208LTZ00	1 1/4	1 1/4	28	0	232	over seat	51	116		
PN209LTK00	1 1/2	1 1/2	49	0	232	over seat	58	116		
PN210LTJ00	2	2	66	0	217	over seat	94	116		

(1) Steam: Max. working pressure 145 psi - (2) Minimum pilot pressure at max. working pressure; for lower working pressure see selection charts



DIMENSIONS & WEIGHTS

pipe size	actuator ø	A	B	C	D	E	weight
(NPT)	(mm)	(inch)	(inch)	(inch)	(inch)	(inch)	(lbs.)
1/2	63	2.56	7.56	7.24	6.73	3.35	2.65
3/4	63	2.95	7.80	7.55	6.93	3.35	2.87
1	63	3.54	8.35	8.07	7.28	3.35	3.31
1 1/4	63	4.33	8.86	8.54	7.60	3.35	4.19
1 1/2	63	4.72	9.06	8.85	7.80	3.35	4.63
2	63	5.91	9.76	9.48	8.15	3.35	6.39
1	90	3.54	8.77	8.5	7.72	4.41	4.41
1 1/4	90	4.33	9.21	8.93	7.95	4.41	5.29
1 1/2	90	4.72	9.40	9.25	8.15	4.41	5.73
2	90	5.9	10.11	9.84	8.50	4.41	7.28