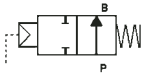


2 WAY PISTON VALVE 1/2 ÷ 2 NORMALLY OPEN; BRONZE



**normally open
flow under seat**

TYPE: REGULAR NO

TECHNICAL SPECIFICATIONS

Media: water, oil, air, aggressive media and steam ⁽¹⁾
Media temperature: 14°F ÷ 356°F
Ambient temperature: 14°F ÷ 140°F
Pilot media: air, inert gases, water
Body material: bronze (C38600 UNS Designation)
Bonnet material: brass (C37700 UNS Designation)
Actuator body material: Polyamide PA6 (reinforced fiberglass 30%)
Seal material: PTFE
Position indicator as standard

OPTIONS

Manual override (Ex. code RCN205STW <u>M</u> 0)
Stroke regulator (Ex. code RCN210STJ <u>R</u> 0)
Travel switch (Ex. code RCN208LTZ <u>I</u> 0)
Design for vacuum applications up to 8 mTorr (Ex. code RCN205STW0 <u>V</u>)
GAS connection (Ex. code RCG205STW0 <u>0</u>)

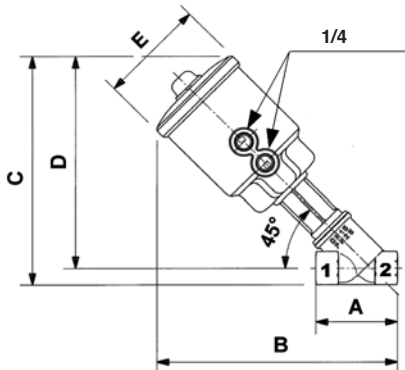


BENEFITS

- Waterhammer-free design
- Actuator housing rotation 360°

SELECTION TABLE	VALVES	pipe size	orifice	flow rate	OPD working pressure ⁽¹⁾		flow direction	OPD pilot pressure ⁽²⁾		actuator ø
	Code	(NPT)	(inch)	(gpm)	min (psi)	max (psi)	(2 → 1)	min (psi)	max (psi)	(mm)
	RCN205STW00	1/2	5/8	6.8	0	232	under seat	36	145	63
RCN206STX00	3/4	3/4	11	0	232	under seat	62	145		
RCN207STY00	1	1	18	0	232	under seat	80	145		
RCN208STZ00	1 1/4	1 1/4	28	0	232	under seat	94	145		
RCN209STK00	1 1/2	1 1/2	49	0	232	under seat	130	145		
RCN210STJ00	2	2	66	0	174	under seat	136	145		
RCN207LTY00	1	1	18	0	232	under seat	29	116	90	
RCN208LTZ00	1 1/4	1 1/4	28	0	232	under seat	58	116		
RCN209LTK00	1 1/2	1 1/2	49	0	232	under seat	72	116		
RCN210LTJ00	2	2	66	0	232	under seat	101	116		

(1) Steam: Max. working pressure 145 psi - (2) Minimum pilot pressure at max. working pressure; for lower working pressure see selection charts



DIMENSIONS & WEIGHTS

pipe size	actuator ø	A	B	C	D	E	weight
(NPT)	(mm)	(inch)	(inch)	(inch)	(inch)	(inch)	(lbs.)
1/2	63	2.56	7.56	7.24	6.73	3.35	2.65
3/4	63	2.95	7.80	7.55	6.93	3.35	2.87
1	63	3.54	8.35	8.07	7.28	3.35	3.31
1 1/4	63	4.33	8.86	8.54	7.60	3.35	4.19
1 1/2	63	4.72	9.06	8.85	7.80	3.35	4.63
2	63	5.91	9.76	9.48	8.15	3.35	6.39
1	90	3.54	8.77	8.5	7.72	4.41	4.41
1 1/4	90	4.33	9.21	8.93	7.95	4.41	5.29
1 1/2	90	4.72	9.40	9.25	8.15	4.41	5.73
2	90	5.9	10.11	9.84	8.50	4.41	7.28