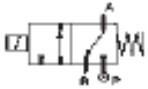


3 WAY NC DIRECT ACTING SOLENOID VALVE, FLANGE 1.26 X 1.26



normally closed

TYPE: D301

TECHNICAL SPECIFICATIONS

- Media: water, air, oil
- Media temperature: 14° F - 266° F
- Ambient temperature: 14° F - 122° F
- Body material: brass (C37700)
- Orifice material: stainless steel (AISI 303)
- Operator material: stainless steel
- Seal material: VITON®
- Coil power: AC = 15 VA (holding)
AC = 30 VA (inrush)
DC = 10 W
- Protection class: NEMA 4 (with connector)



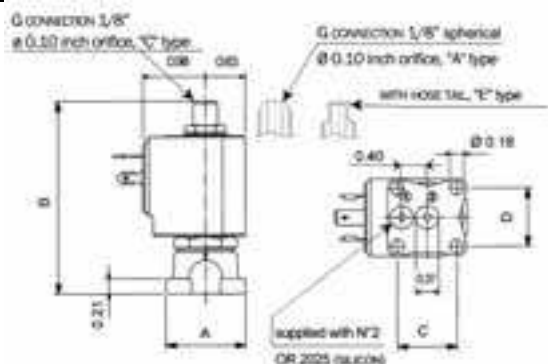
OPTIONS

- Normally open (Ex code RD301CVGN)
- Manual override (Ex code D301AVCNM)
- EPDM seal for air and hot water MAX 248° F (Ex code D301CECN)
- RUBY seal 14° F - 356° F for high temperature with class "H" coils (Ex code D301ARBN 7201)
- Armature tube with G connection 1/8" spherical (Ex code D301AVCN)
- Armature tube with hose tail 0.24 inch (Ex code D301EVEN)
- CE coils on request (Ex code 7700)

SELECTION TABLE

VALVES	Square base	orifice	CV flow rate	Operating Pressure Differential			COILS	
				min	max			
					liquids	gas	Code	(Volts/Hz)
Code	(inch)	(inch)	(gpm)	(psi)	ac	dc		
D301CVCN	1.26x1.26	1/16	0.09	0	217	217	725R	24/dc
D301CVEN	1.26x1.26	5/64	0.15	0	145	145	720R	24/50 - 60
D301CVGN	1.26x1.26	3/32	0.24	0	101	101	740R	110/50 - 120/60
							760R	200/50 - 220/60
							770R	230/50 - 240/60

DIMENSIONS & WEIGHTS



Sq. base	A	B	C	D	weight
(inch)	(inch)	(inch)	(inch)	(inch)	(lbs.)
1.26x1.26	1.2	2.7	0.7	0.4	0.22